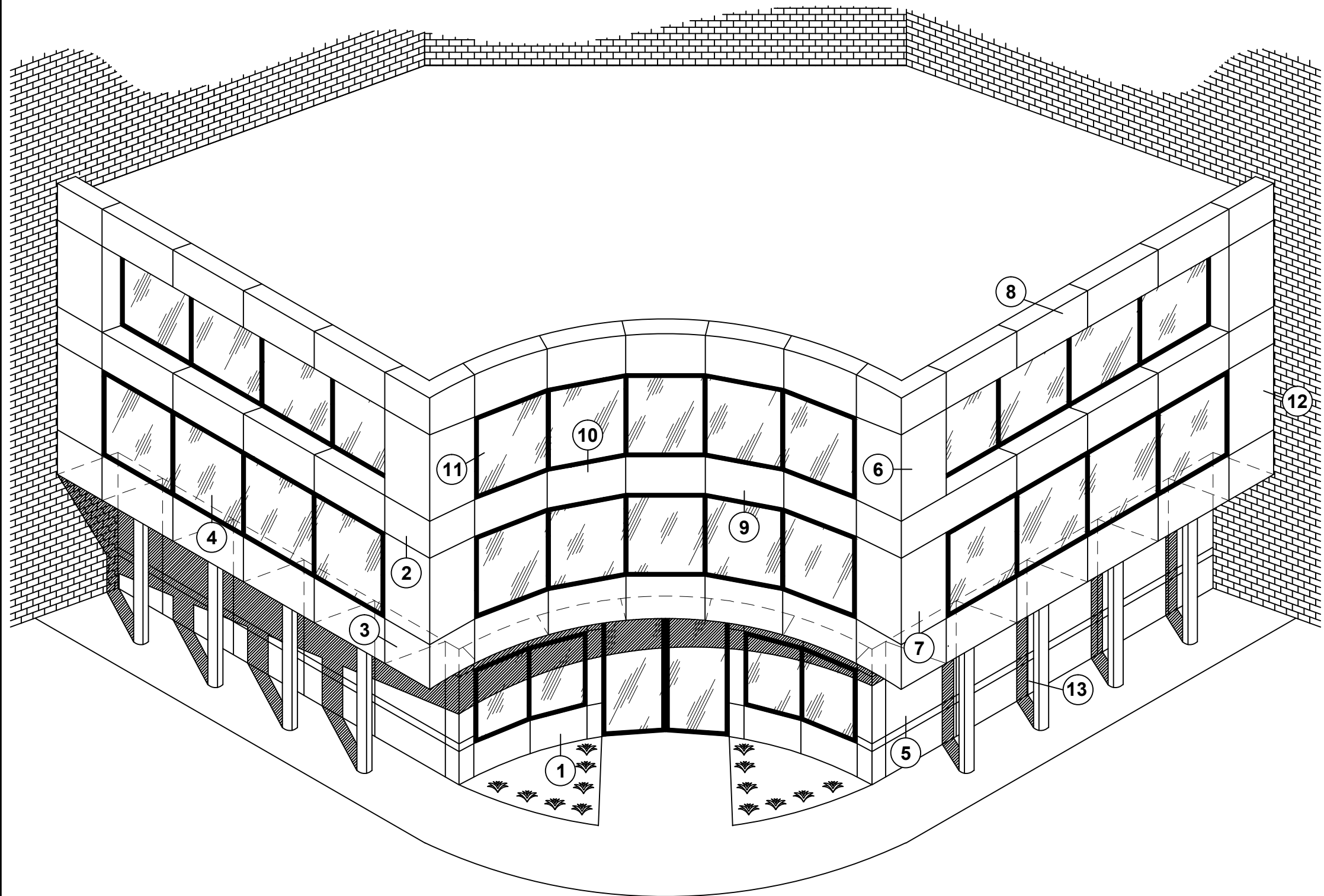


ACCU-TRAC[®]

ATTACHMENT SYSTEMS TYPICAL DETAILS

ROUTE & RETURN EXPOSED SEALANT SYSTEM (ES SYSTEM)

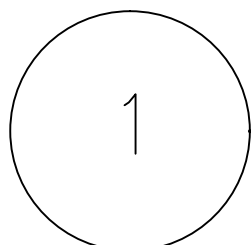
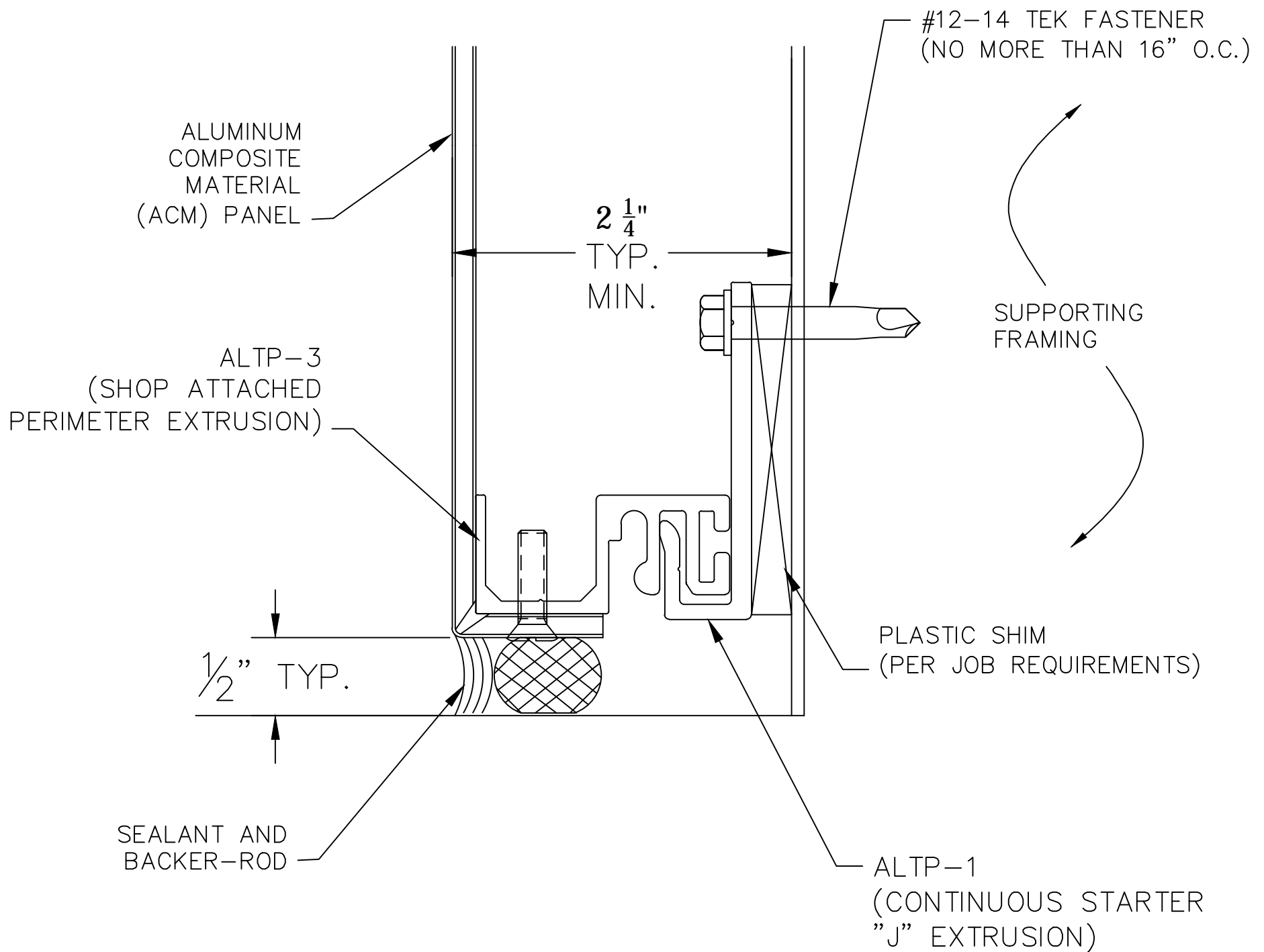


MANUFACTURED BY ALTECH PANEL SYSTEMS AND AVAILABLE THROUGH VARIOUS DISTRIBUTORS
1 JOHNSON ST. SUITE 118 CARTERSVILLE, GA. 30120 PHONE 678-721-4569

ALTECHPANEL.COM

ACCU-TRAC® (ES) ATTACHMENT SYSTEMS

1 JOHNSON ST. SUITE 118 CARTERSVILLE, GA. 30120 PHONE 678-721-4569

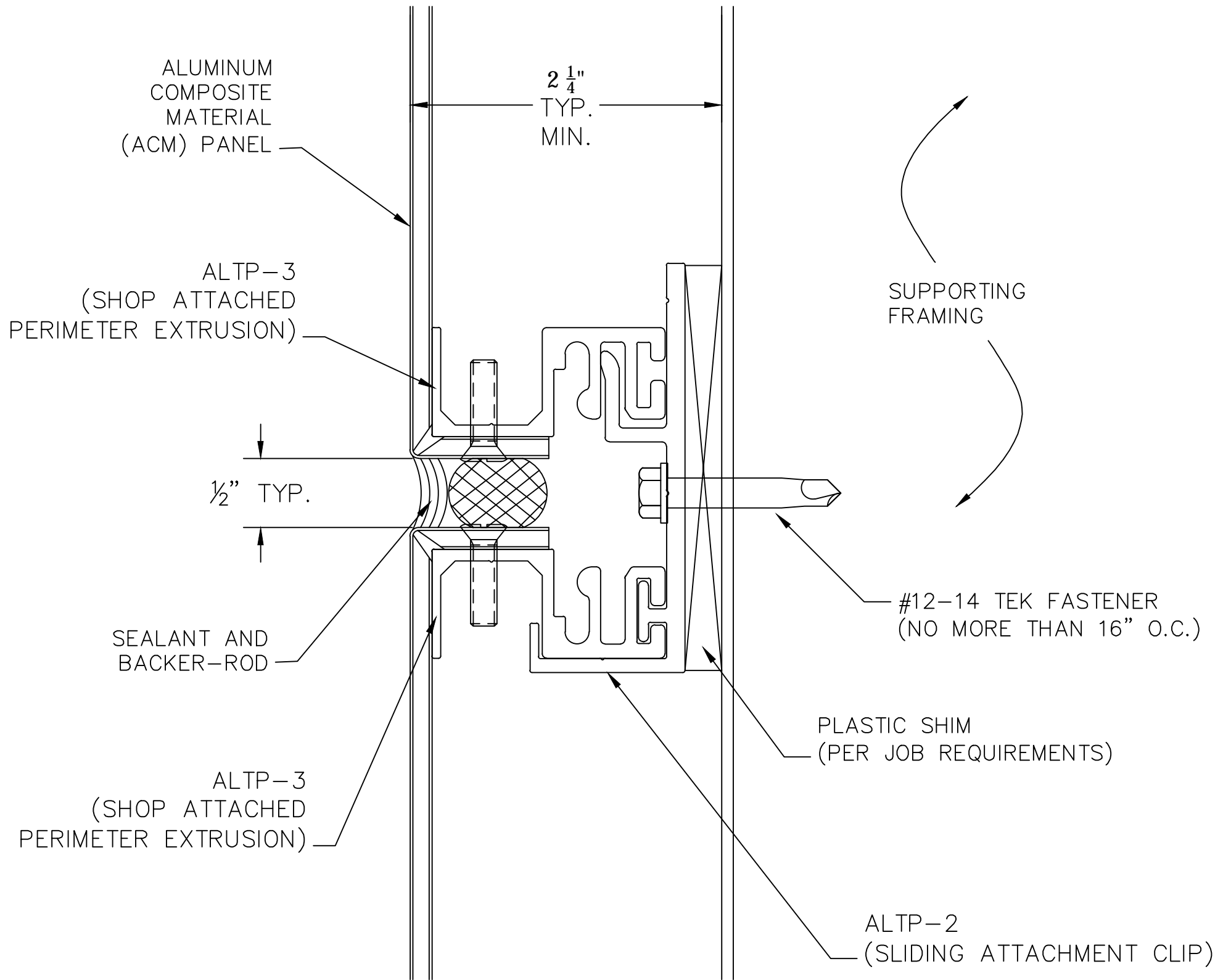


SILL TERMINATION

SCALE: NONE

ACCU-TRAC® (ES) ATTACHMENT SYSTEMS

1 JOHNSON ST. SUITE 118 CARTERSVILLE, GA. 30120 PHONE 678-721-4569



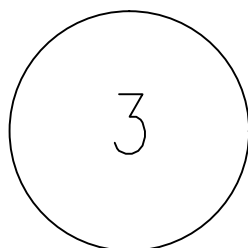
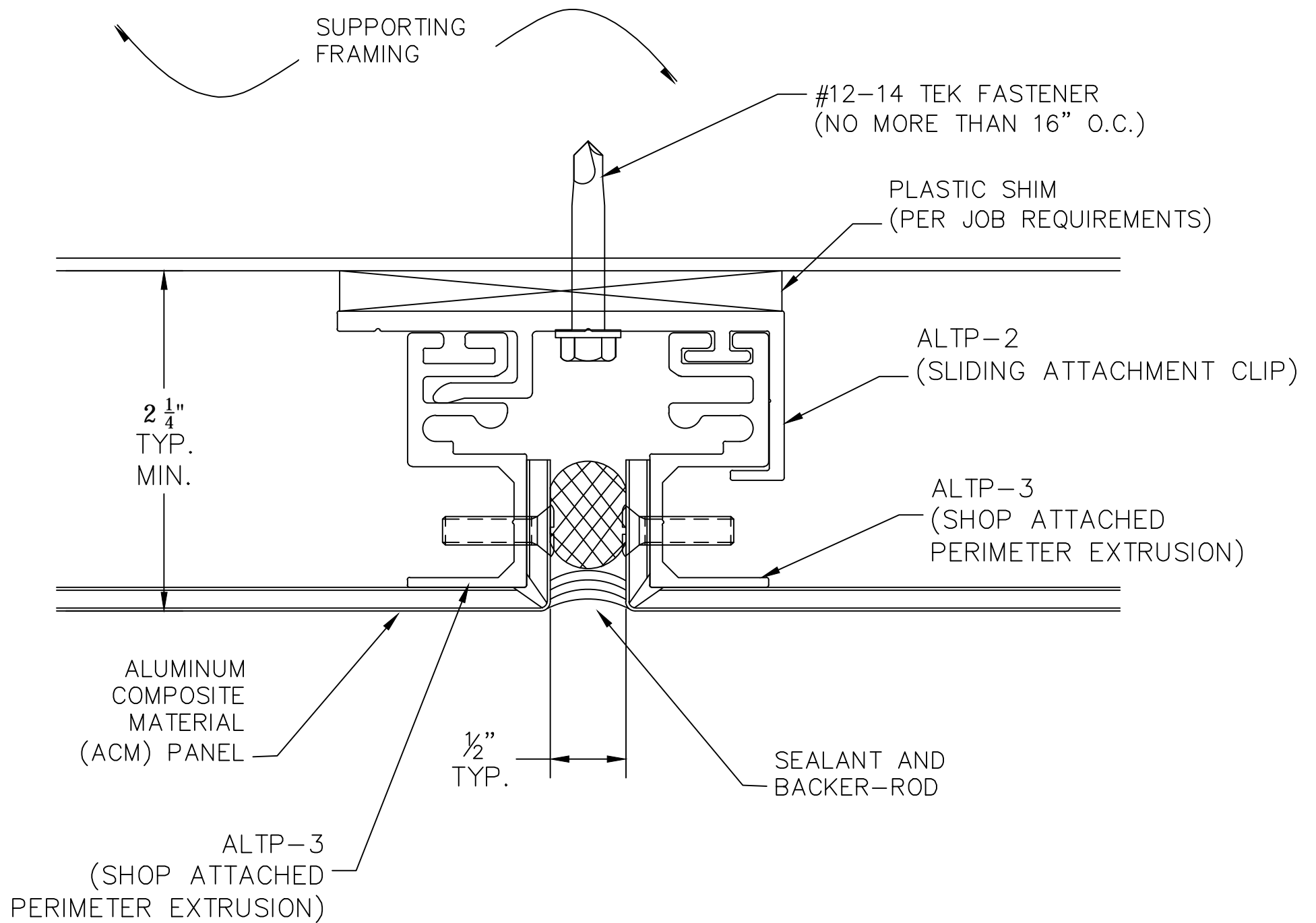
2

TYP. HORIZONTAL JT.

SCALE: NONE

ACCU-TRAC[®] (ES) ATTACHMENT SYSTEMS

1 JOHNSON ST. SUITE 118 CARTERSVILLE, GA. 30120 PHONE 678-721-4569

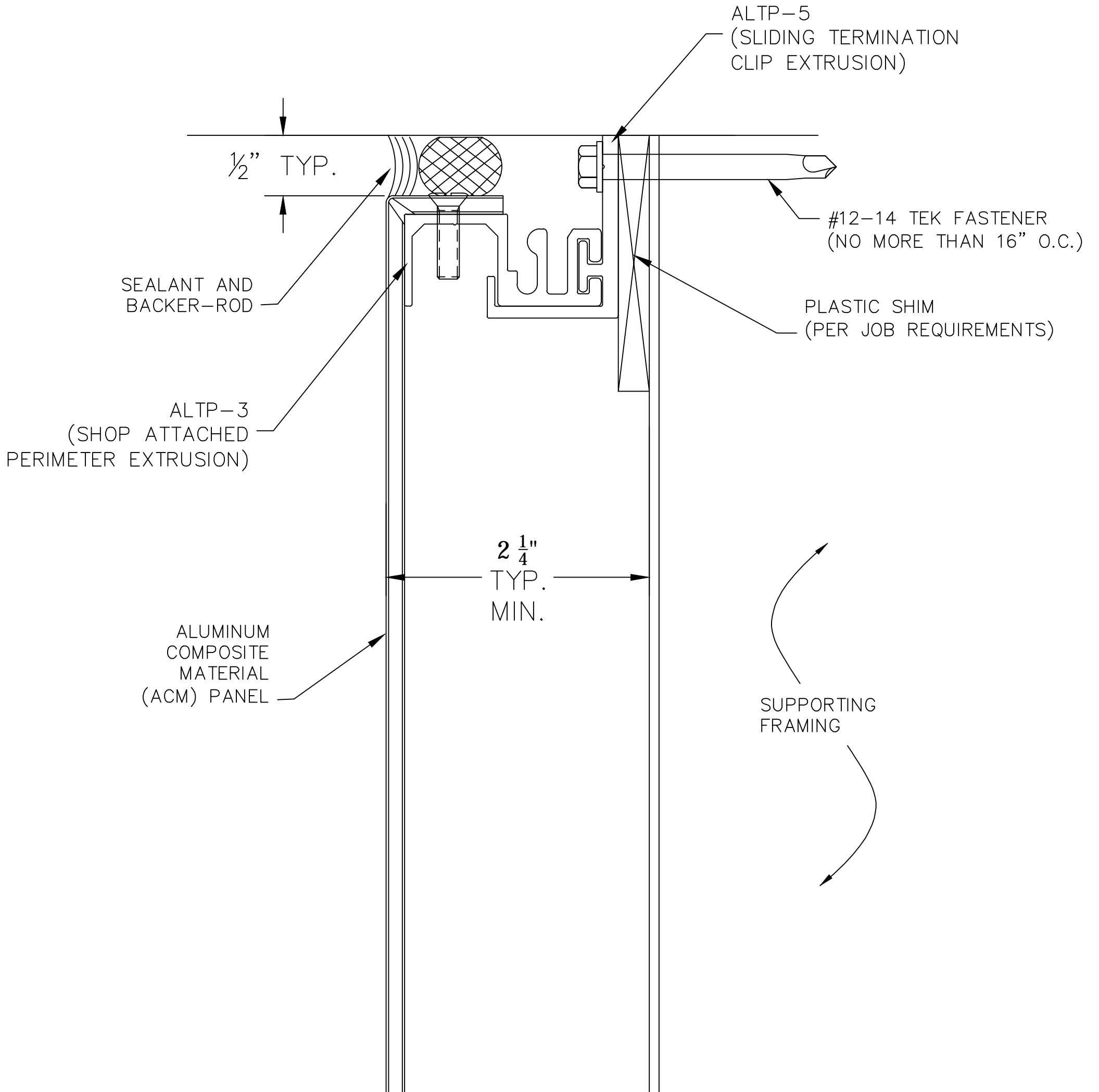


3 TYP. VERTICAL JT.

SCALE: NONE

ACCU-TRAC[®] (ES) ATTACHMENT SYSTEMS

1 JOHNSON ST. SUITE 118 CARTERSVILLE, GA. 30120 PHONE 678-721-4569



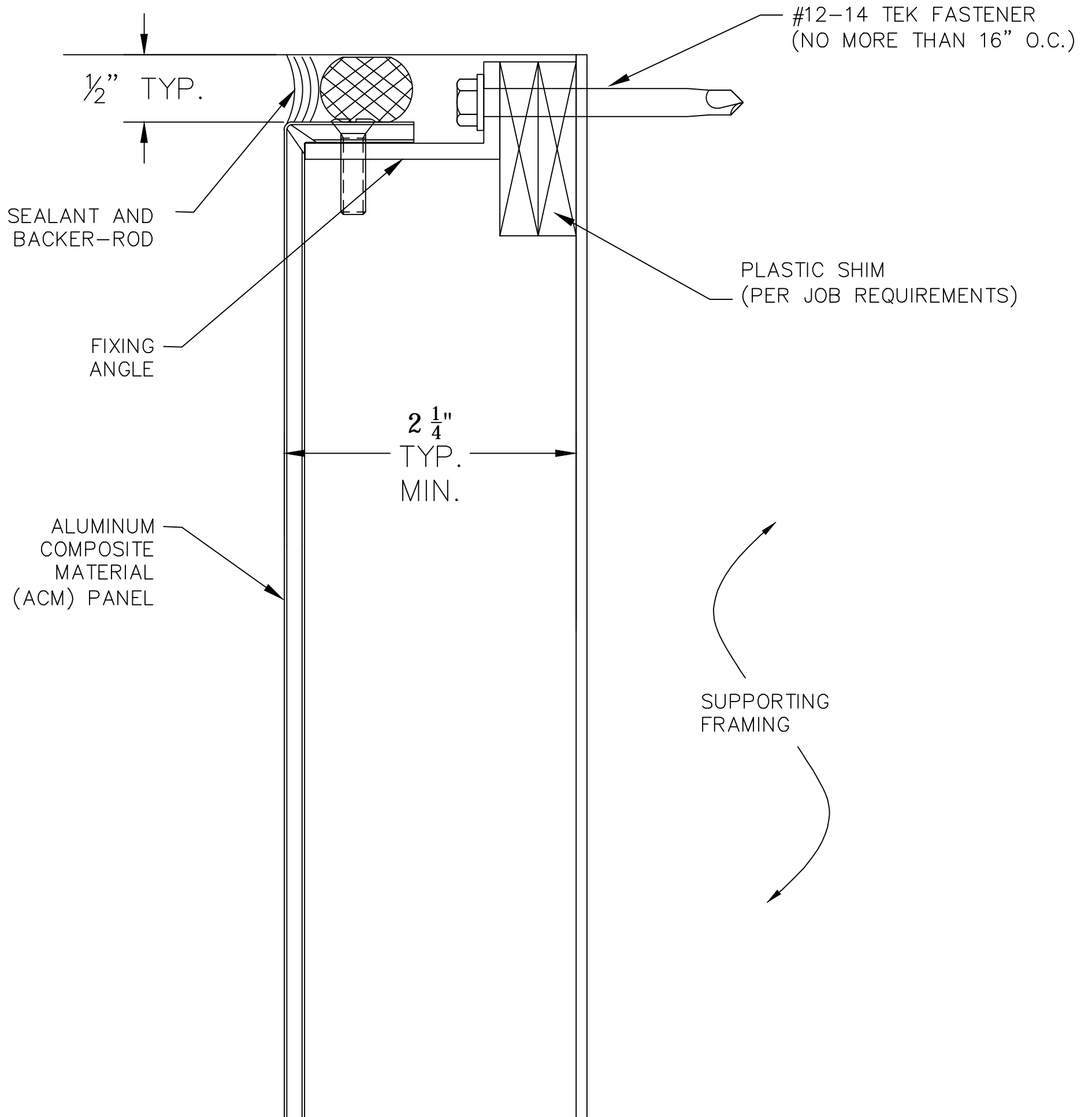
4

HEAD TERMINATION

SCALE: NONE

ACCU-TRAC[®] (ES) ATTACHMENT SYSTEMS

1 JOHNSON ST. SUITE 118 CARTERSVILLE, GA. 30120 PHONE 678-721-4569



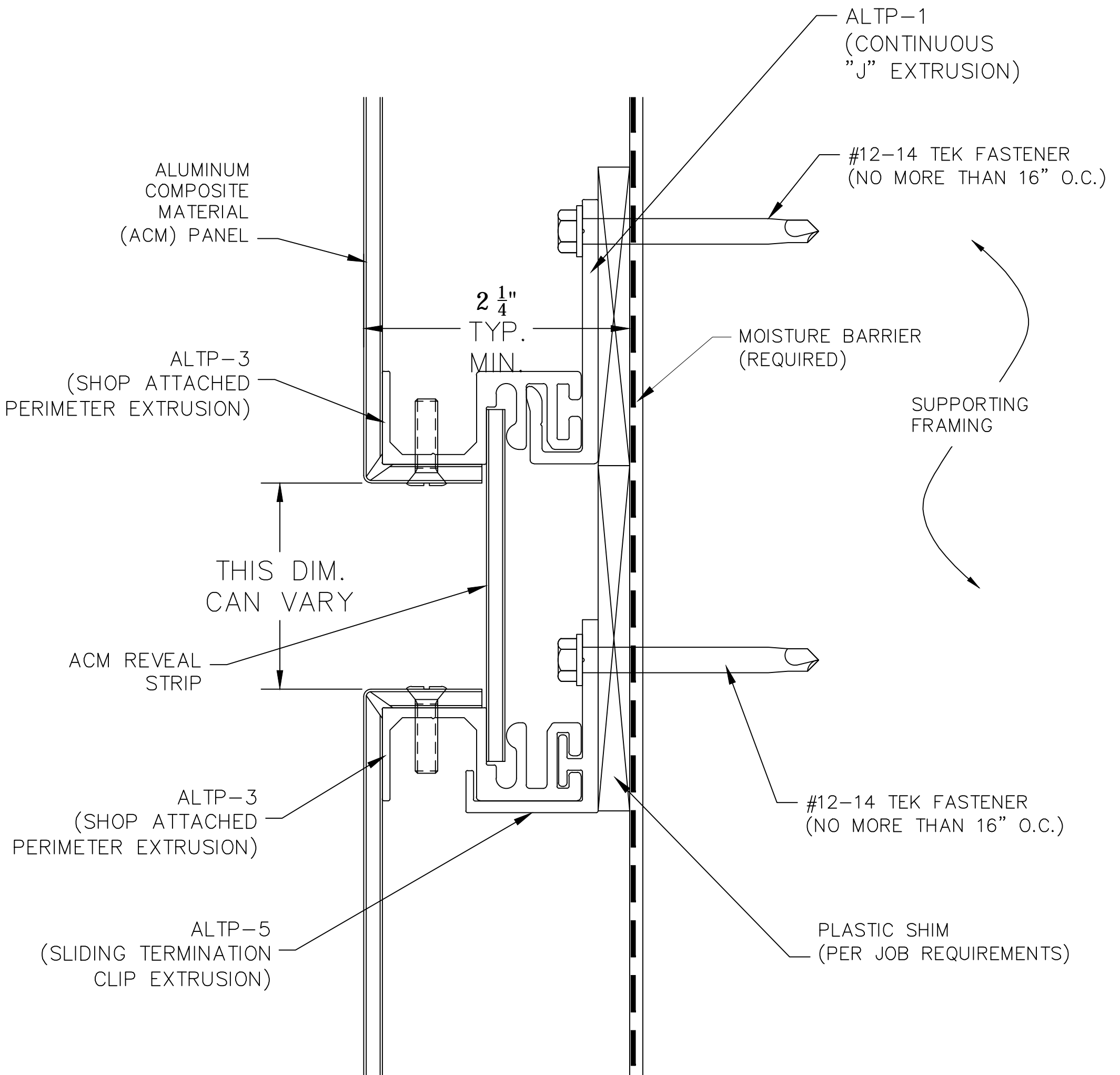
4A

ALT. HEAD TERMINATION

SCALE: NONE

ACCU-TRAC® (DS) ATTACHMENT SYSTEMS

1 JOHNSON ST. SUITE 118 CARTERSVILLE, GA. 30120 PHONE 678-721-4569



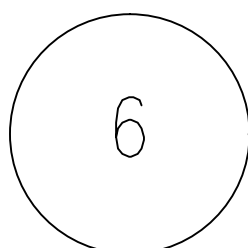
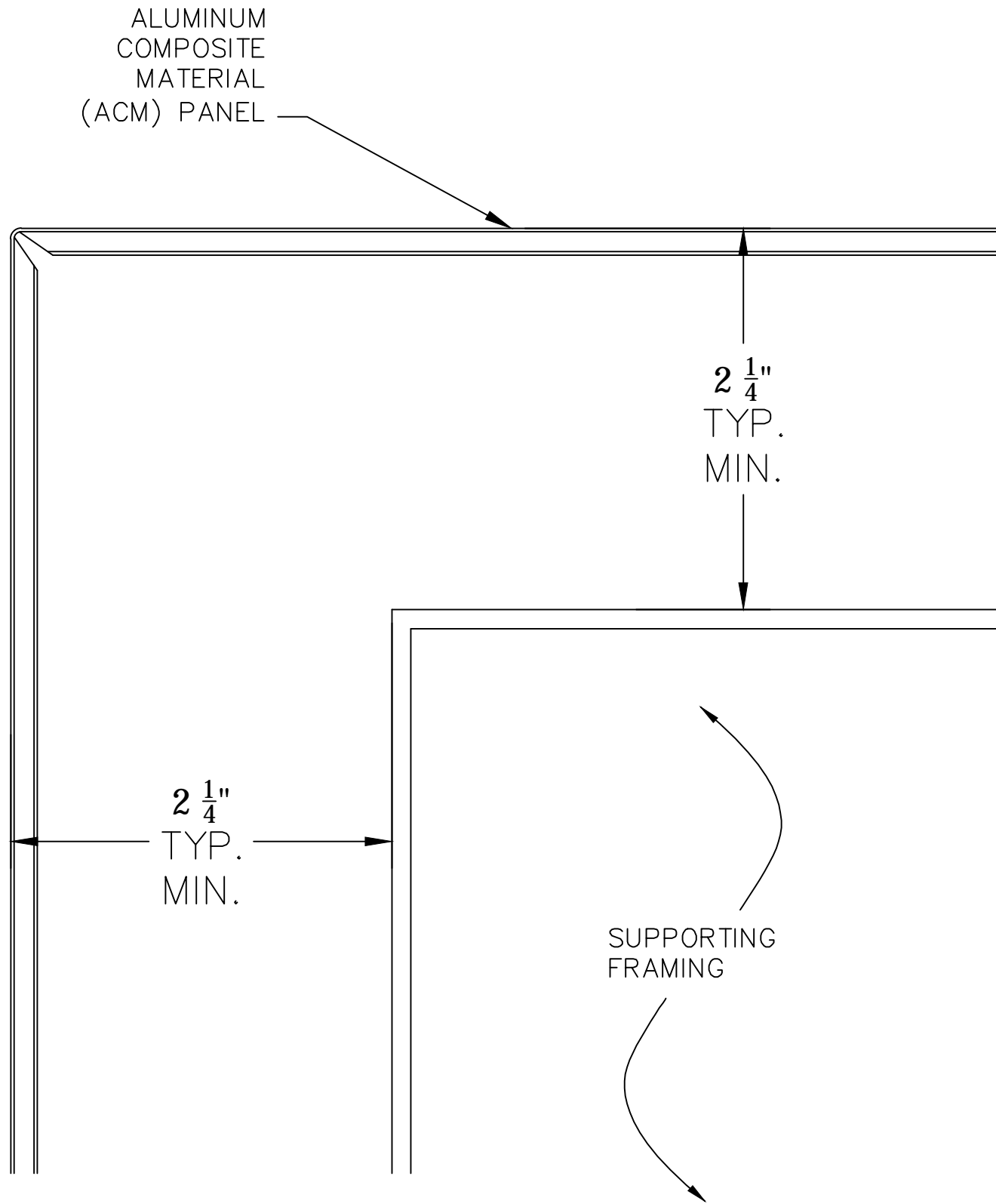
5

TYP. REVEAL JT.

SCALE: NONE

ACCU-TRAC[®] (ES) ATTACHMENT SYSTEMS

1 JOHNSON ST. SUITE 118 CARTERSVILLE, GA. 30120 PHONE 678-721-4569

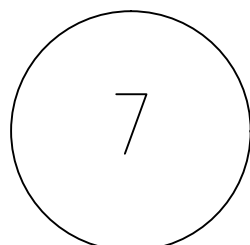
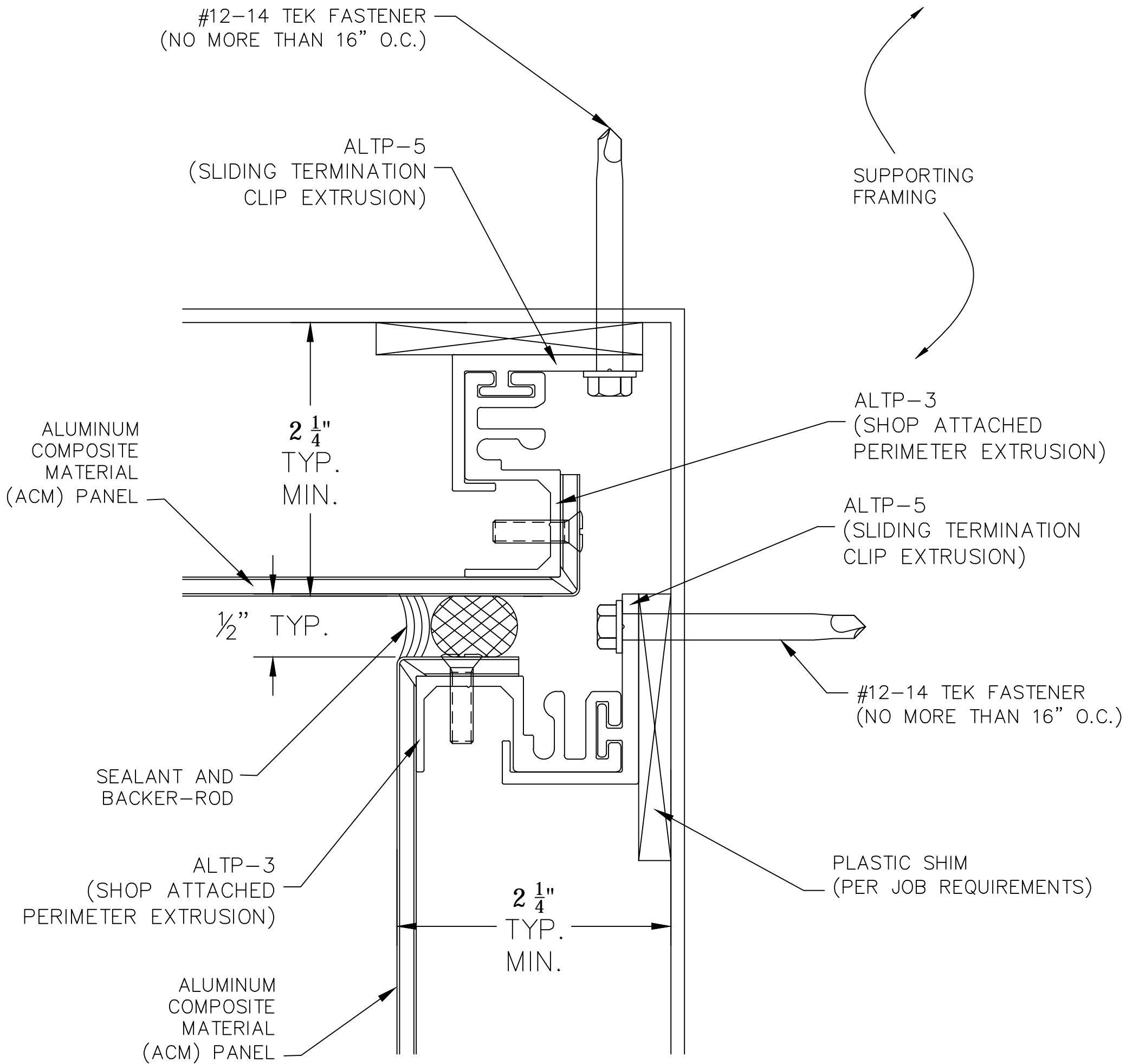


OUTSIDE CORNER

SCALE: NONE

ACCU-TRAC[®] (ES) ATTACHMENT SYSTEMS

1 JOHNSON ST. SUITE 118 CARTERSVILLE, GA. 30120 PHONE 678-721-4569

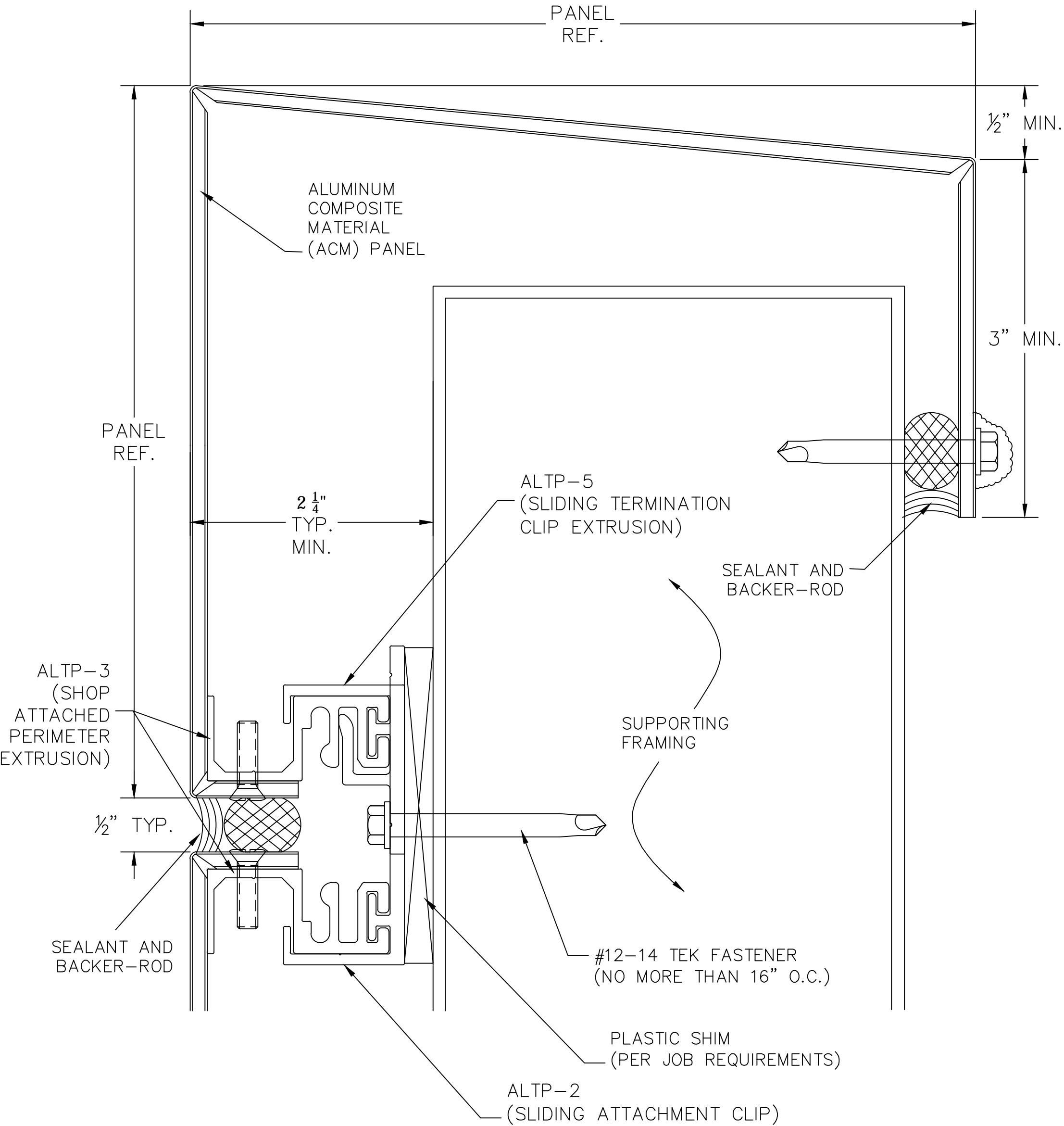


7 SOFFIT CONDITION

SCALE: NONE

ACCU-TRAC® (ES) ATTACHMENT SYSTEMS

1 JOHNSON ST. SUITE 118 CARTERSVILLE, GA. 30120 PHONE 678-721-4569



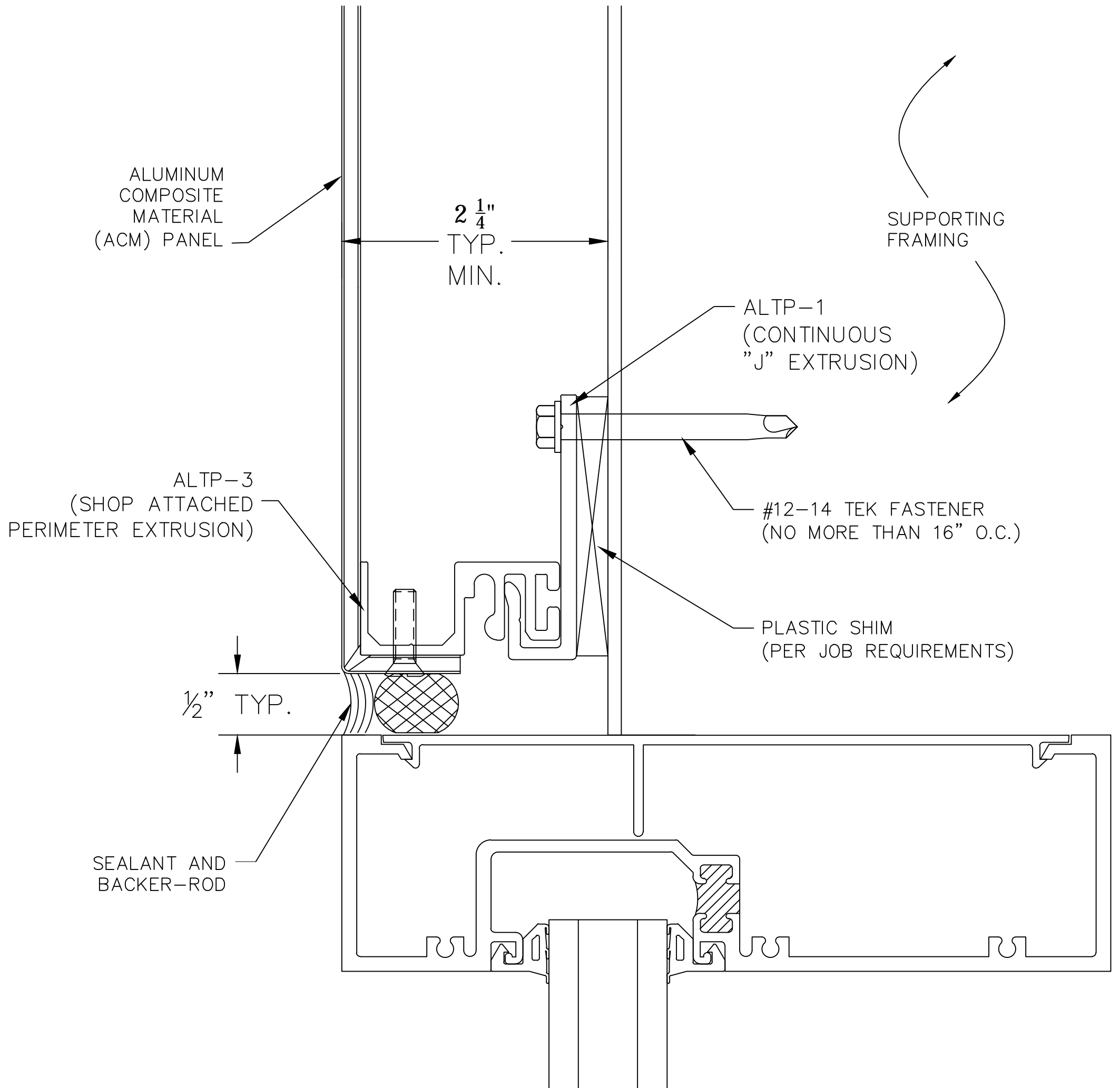
8

PARAPET CONDITION

SCALE: NONE

ACCU-TRAC® (ES) ATTACHMENT SYSTEMS

1 JOHNSON ST. SUITE 118 CARTERSVILLE, GA. 30120 PHONE 678-721-4569



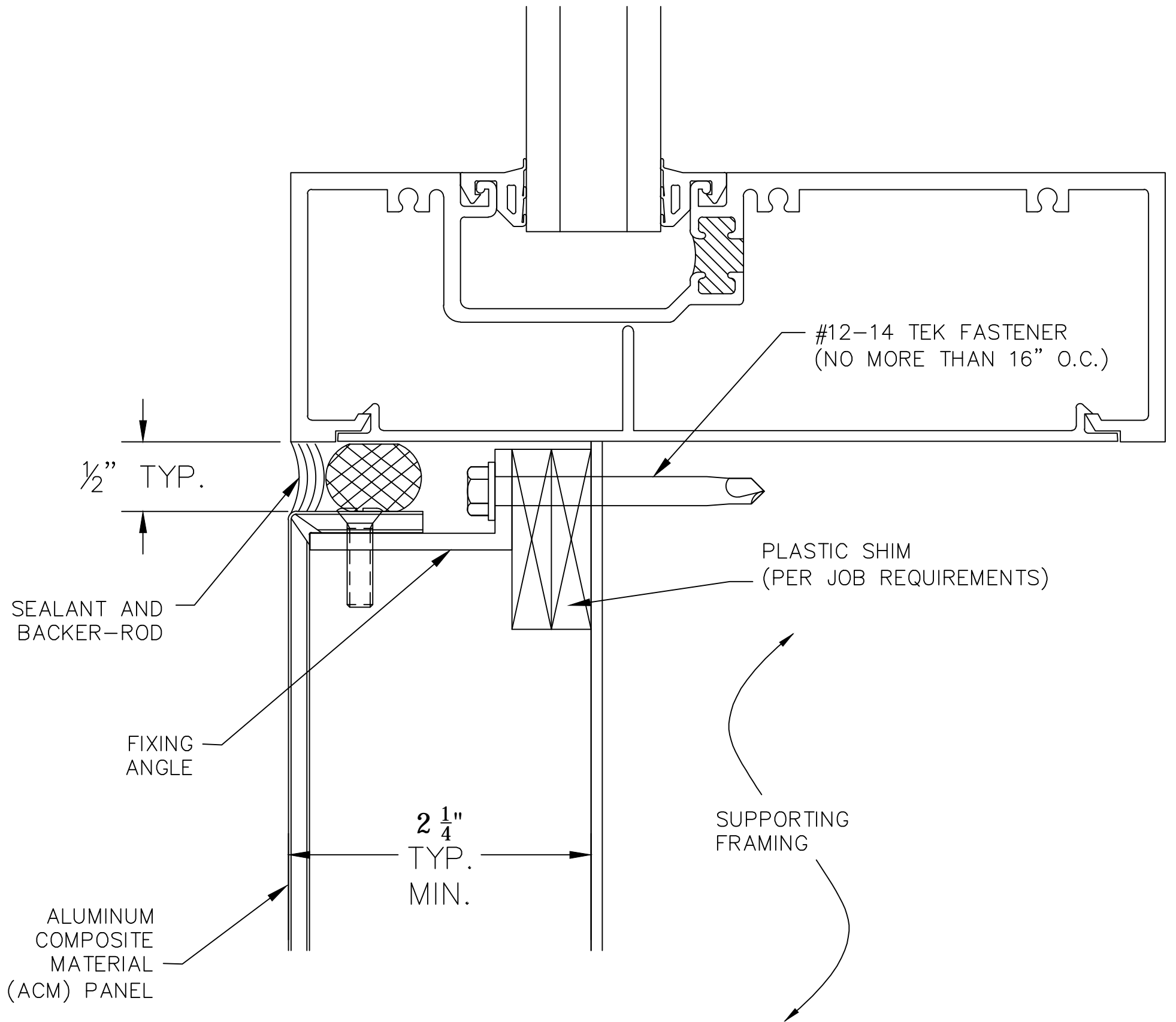
9

WINDOW HEAD CONDITION

SCALE: NONE

ACCU-TRAC[®] (ES) ATTACHMENT SYSTEMS

1 JOHNSON ST. SUITE 118 CARTERSVILLE, GA. 30120 PHONE 678-721-4569



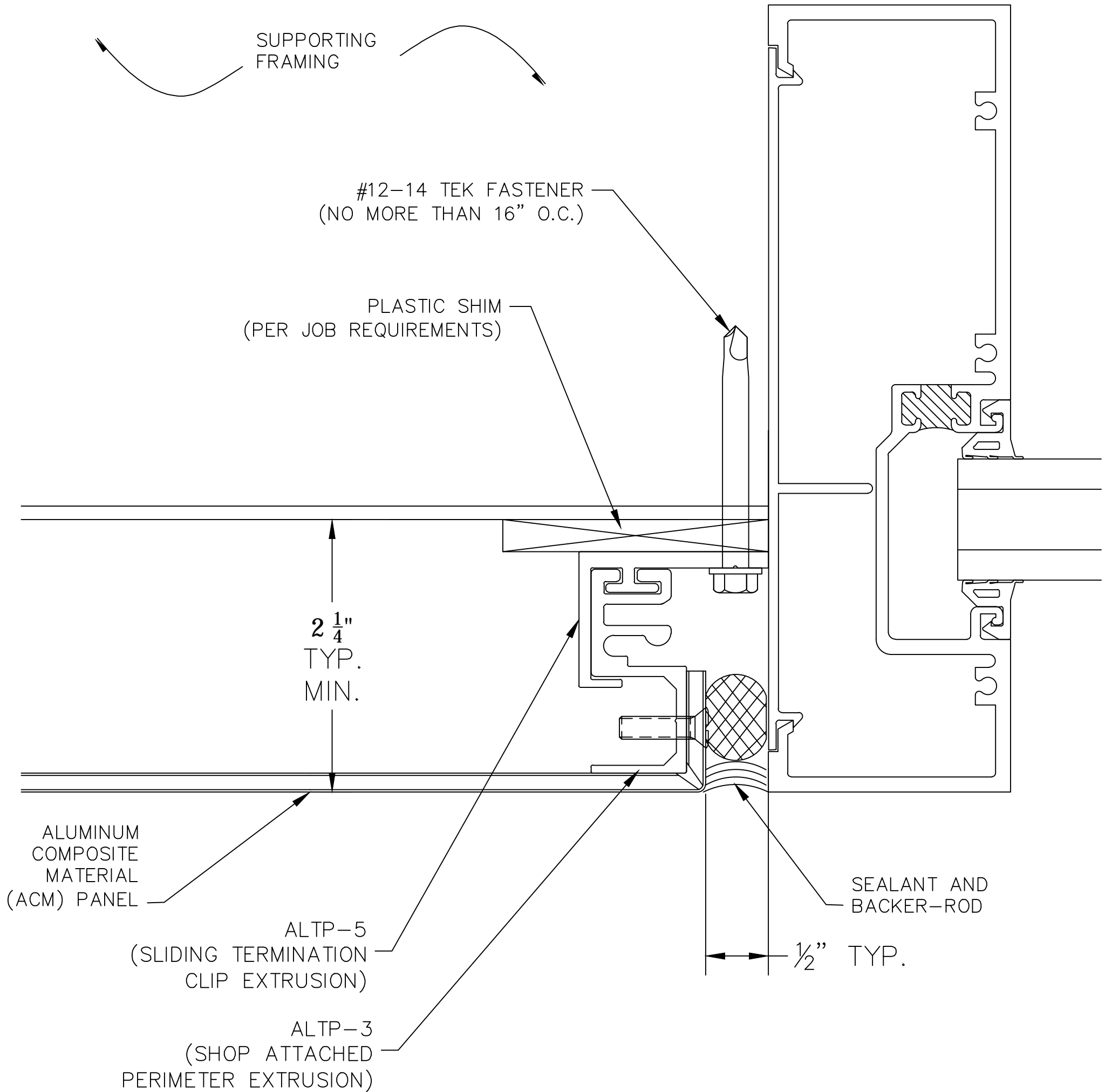
10

WINDOW SILL CONDITION

SCALE: NONE

ACCU-TRAC® (ES) ATTACHMENT SYSTEMS

1 JOHNSON ST. SUITE 118 CARTERSVILLE, GA. 30120 PHONE 678-721-4569



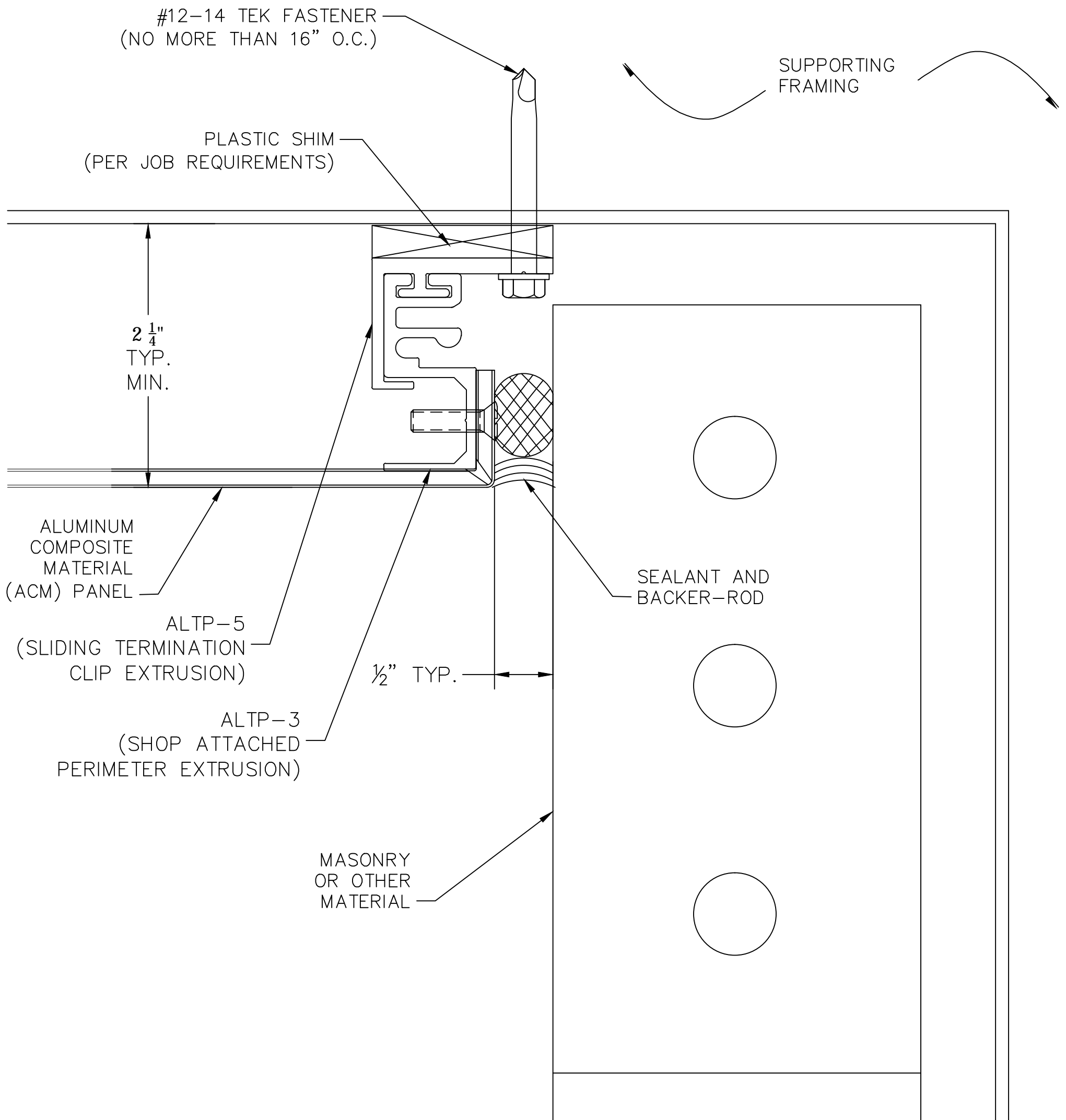
11

WINDOW JAM CONDITION

SCALE: NONE

ACCU-TRAC® (ES) ATTACHMENT SYSTEMS

1 JOHNSON ST. SUITE 118 CARTERSVILLE, GA. 30120 PHONE 678-721-4569



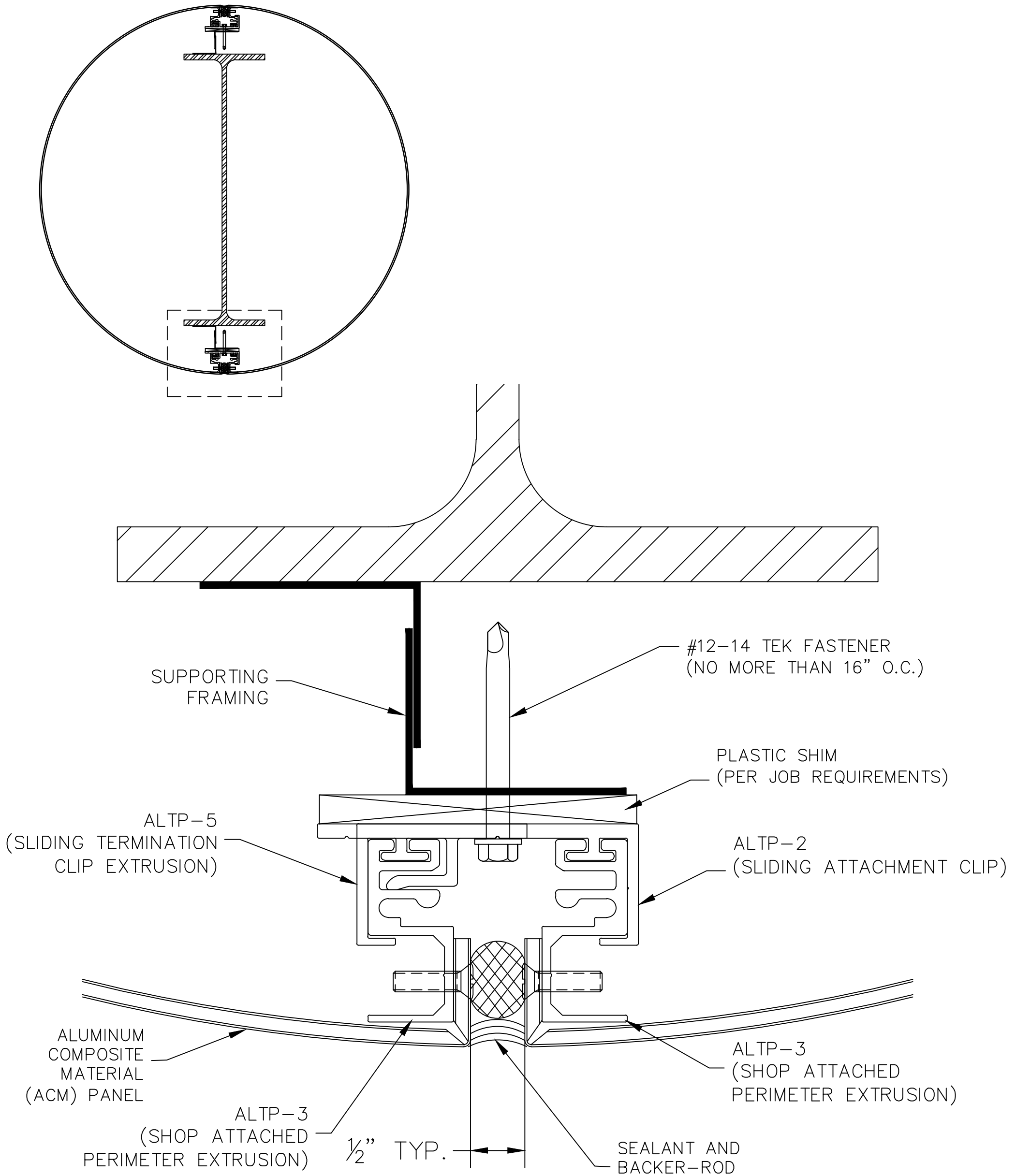
12

JAM CONDITION @ BRICK

SCALE: NONE

ACCU-TRAC[®] (ES) ATTACHMENT SYSTEMS

1 JOHNSON ST. SUITE 118 CARTERSVILLE, GA. 30120 PHONE 678-721-4569



13

COLUMN DETAIL

SCALE: NONE